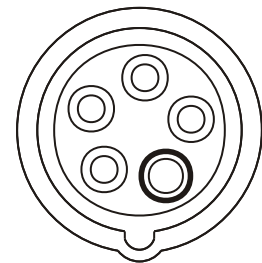
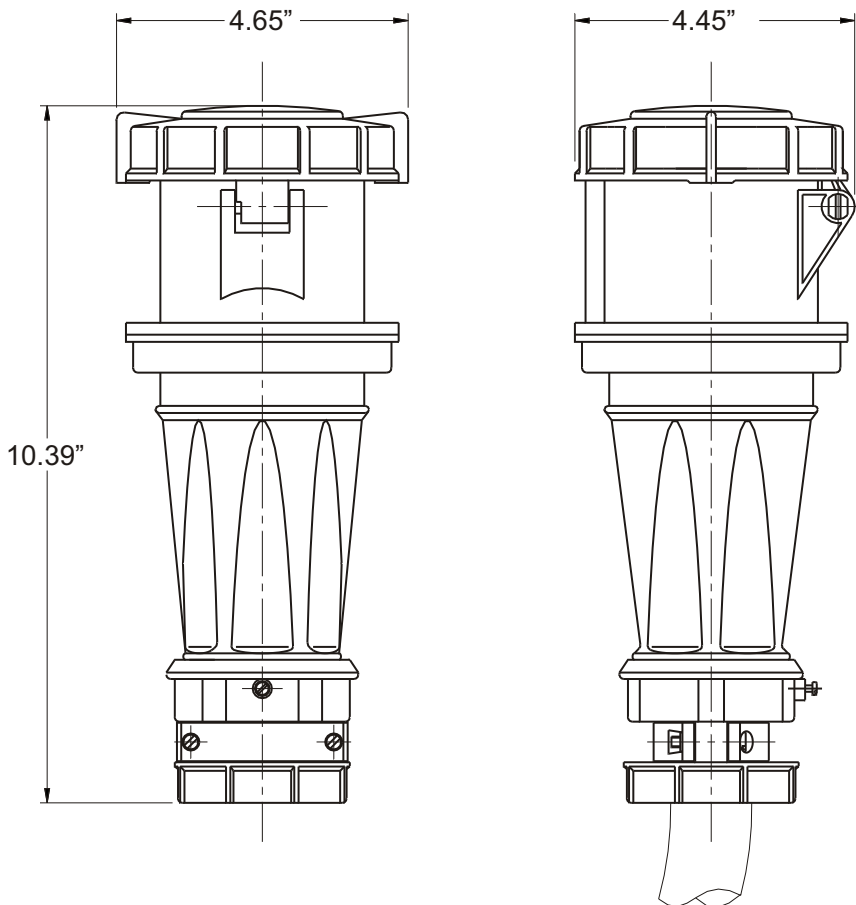


## CONNECTOR, IN-LINE

<b>Part No.</b>	ME 560C5W
<b>Description:</b>	60 Amp 3 Y 347/600Vac 4 Pole, 5 Wire Connector
<b>Construction:</b>	Watertight IEC IP 67
<b>Approvals:</b>	UL Listed Standards 1682; 1686 CSA Certification to Spec. C22.2 No. 182.1 IEC 60309-1; IEC 60309-2

**IEC COLOR CODE:** Black

**GROUND SOCKET:** 5 Hour Position Mates with Male in 7 Hour Position.



Front View of Connector

Wire Range: #4 - #8 AWG  
Cord Range: .57" - 1.42"  
Threaded Cable Entry: 1 1/2" NPT

Drawing Not to Scale